

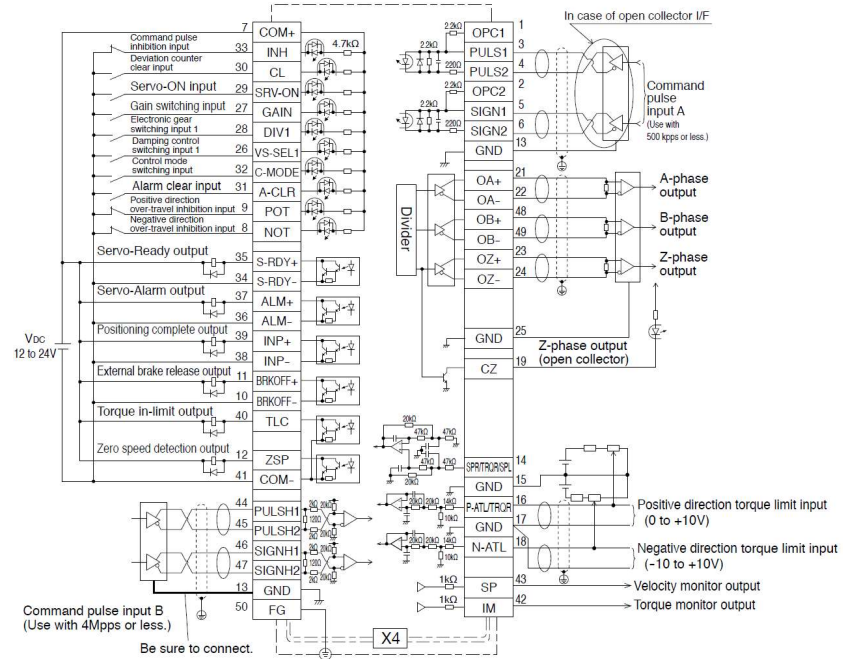
IO Interface Cable

1 axis, 50-pin IO connector to loose wires, length 2m



CN Pin	Pair	Signal	Wire Color
1	1	OPC1	white
2		OPC2	brown
3	2	PULS1	green
4		PULS2	yellow
5	3	SIGN1	grey
6		SIGN2	pink
41	4	COM -	blue
7		COM +	red
10	5	BRKOFF -	black
11		BRKOFF +	violet
8	6	NOT	grey-pink
9		POT	red-blue
15	7	GND	white-green
14		SPR/TRQR/SP	brown-green
17	8	GND	white-yellow
16		P-ATL/TRQR	yellow-brown
17	9	GND	white-grey
18		N-ATL	grey-brown
19	10	CZ	white-pink
25		GND	pink-brown
21	11	OA +	white-blue
22		OA -	brown-blue
23	12	OZ +	white-red
24		OZ -	brown-red
13	13	GND	white-black

CN Pin	Pair	Signal	Wire Color
26	14	VS-SEL 1	grey-green
27		GAIN	yellow-grey
28	15	DIV 1	pink-green
29		SRV-ON	yellow-pink
30	16	CL	green-blue
31		A-CLR	yellow-blue
32	17	C-MODE	green-red
33		INH	yellow-red
34	18	S-RDY -	green-black
35		S-RDY +	yellow-black
36	19	ALM -	grey-blue
37		ALM +	pink-blue
38	20	INP -	grey-red
39		INP +	pink-red
40	21	TLC	grey-black
12		ZSP	pink-black
42	22	IM	blue-black
43		SP	red-black
44	23	PULSH1	white
45		PULSH2	brown
46	24	SIGNH1	green
47		SIGNH2	yellow
48	25	OB +	grey
49		OB -	pink
13	13	GND	brown-black



Wiring example: MINAS A5 Position Control Mode

Remarks:

- This cable is designed for MINAS A/A4/A5 servo drivers.
- The wire colors in the table above correspond to DIN 47100. The signals correspond to MINAS A5 CN X4.
- Ensure an applicable connection of the cable shield to EMC ground.
- For further information, please refer to the corresponding manual.

Specification Sheet			
Product Number			
DV0P4360		Leaflet	
Version	Date	designed by	approved
0.10	2007-04-27	Aicher	
1.00	2008-01-16	Aicher	
1.01	2011-03-10	Millauer	Aicher
1.02	2011-05-02	Millauer	